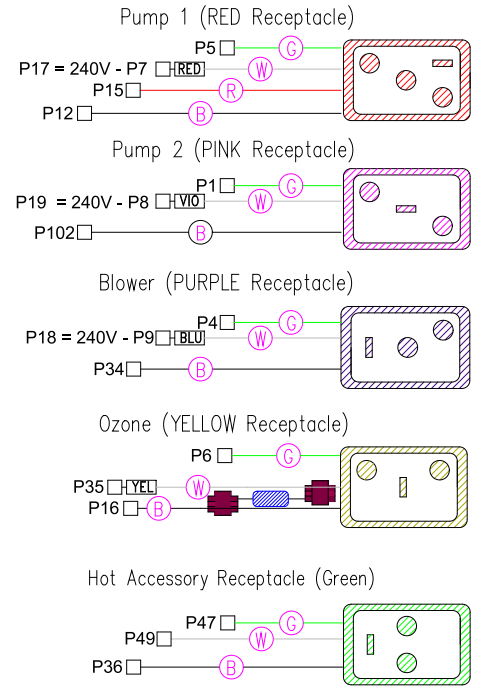


LEGEND	
□	- 1/4" QUICK CONNECT
▢	- 1/4" QUICK CONNECT PIGGYBACK
○	- RING CONNECTOR
◻	- SOCKET CONNECTOR
△	- PIN CONNECTOR



Manufacture Notes:

PART NUMBER	DESCRIPTION	QTY
33-0024B-R4	PCB, DIG. ECO-3, 120V	1
26-0071	HEATER, 5.5kW FLOW THRU	1
34-0178	SWITCH, PRESSURE, 1AMP	1
34-0201D	HIGH LIMIT SENSOR, 18"	1
34-0203D	TEMPERATURE SENSOR, 10FT	1

**HYDRO-QUIP**  
CORONA, CA (951) 273-7575

Drawn LSL	Rev 4	Wire Color Code B - Black G - Green Br - Brown Bl - Blue R - Red V - Violet O - Orange W - White Y - Yellow Gr - Gray
Date	02.27.07	
Diagram No.	8003	